

6.3 Mechanical digital locks

Foreword

Mechanical digital locks are the simplest form of access control. Without the need for mains power, or any external wiring or additional equipment, they provide a step up in security and convenience from mechanical keyed locks. They are perfect where a simple 'all-in-one' solution is required.

Keyed locks can provide different access levels through master keying. Some digital locks can be 'master keyed' and they also provide many other features (depending on the lock) which allow for a more sophisticated control of access and egress. You can have a special one-time emergency or service entry code, for instance, which erases the memory once used. Lock release times are adjustable. Management can temporarily or permanently disable any or all user codes. Locks can provide visible and audible entry indicators, and be overridden from a remote point.

Above all, mechanical (and the battery powered 72102N) digital locks can conveniently solve the problems that come with key based locking systems. There is always the issue of lost or unreturned keys or there may simply be an unwieldy number of keys, or perhaps there is now a change of priority for a given door. With code entry instead of keys, problems are solved. Easily changed, as often as you like, codes provide a flexible means of access control. You will see on the following pages that all the options of sophisticated mortice locks are also available, examples being always-free-to-escape, key override, and latch holdback facilities.

Please bear in mind that these locks are designed for low-to-medium frequency use. Where there is higher traffic, you should consider some form of electronic access control. In this case The functional equivalent to mechanical digital locks, is the range of electronic code keypads (Section 6.1).

Contents

- Foreword
- Mechanical digital locks

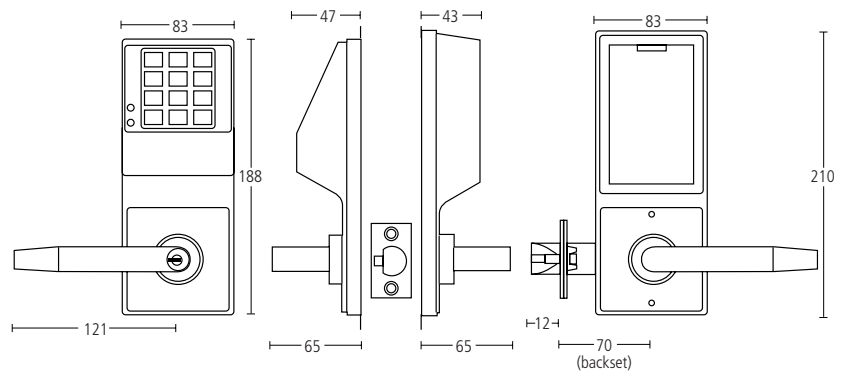
71202N

Stand-alone, digital lock.



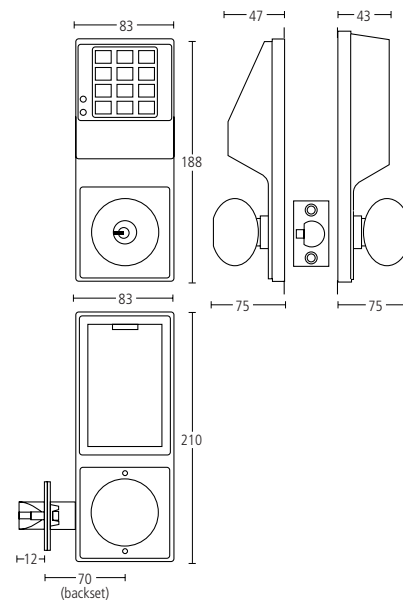
- Designed for medium frequency use.
- Suitable for internal and external mounting.
- Powered by on-board batteries, providing 120,000 operations.
- Full size lever (or knob – see right) operation from both sides allows single-handed use for access and egress.
- Inside handle provides free escape at all times.
- Clutch mechanism only engages outside lever when correct code entered, preventing forced entry and damage to lock.
- Key override and passage set functions allow access without needing to use code.
- Anti-thrust deadlocking latchbolt provides smooth, secure locking action.
- Up to 15 user codes with management and master codes provide hierarchical levels.
- One-off service code option allows visitor or contractor to use code which will immediately be cancelled after its first operation.
- Adjustable lock release time.
- Remote release option available.
- Low power audible alert.
- Automatic penalty time after three incorrect entries.
- Easy to install – retrofits to doors previously fitted with Unican locks.
- Suitable for doors 41–48mm thick.
- Version 71205 is also available for doors 48–54mm thick.

Finish: SC



71204N

Knob version of 72102N.



- Suitable for internal mounting only.

71123

Conversion component for 13mm, 19mm or 25mm rebates.

71125

95mm backset extension.

71126

127mm backset extension.

71101

Digital mortice night latch.



- Designed for medium-frequency use.
- Deadlocking anti-thrust latchbolt, providing smooth, secure locking action.
- Full size knob operation from both sides allows single-handed use for access and egress.
- Inside knob provides free escape at all times.
- 'Slipping clutch' mechanism prevents illegal entry and damage to lock.
- Codes easily changed without removing lock from door.
- Access to this panel is by locked cover plate so only authorised personnel can undertake combination change procedure.
- Non-handed.
- Adjustable for door thicknesses of 35-54mm.

Finish: SC.

The variations on the right allow for combinations of passage set – whereby both knobs will retract the latchbolt without the use of a code – and key override facilities.

71123

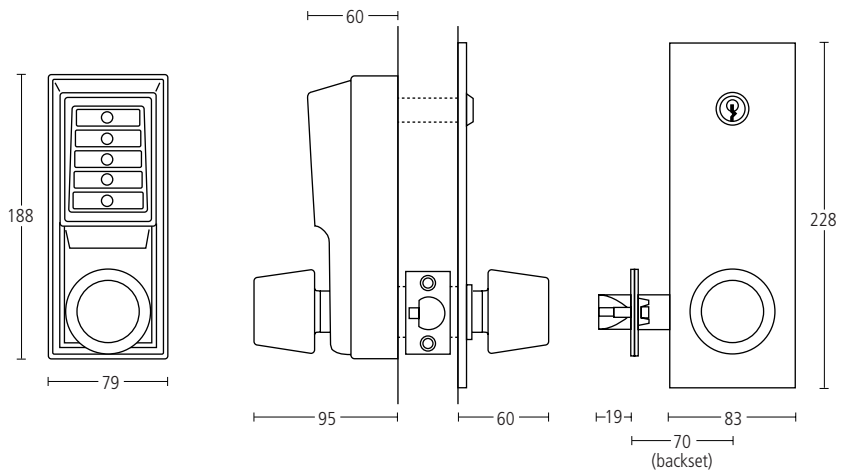
Conversion component for 13mm, 19mm or 25mm rebates.

71125

95mm backset extension.

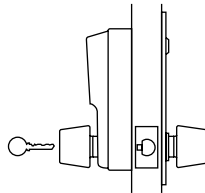
71126

127mm backset extension.



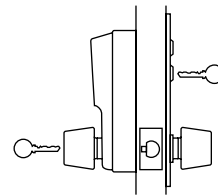
71102

As 71101, but with key override.



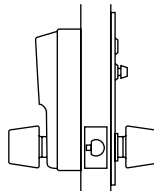
71106

With both passage set (set by keyed cylinder) and key override.



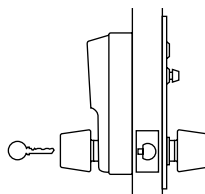
71103

With passage set (set by thumbturn).



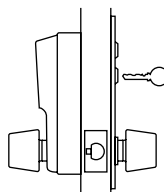
71104

With both passage set (set by thumbturn) and key override.



71105

With passage set (set by keyed cylinder).



71080

Digital night latch.



- Designed for low- to medium-frequency use.
- Deadlocking anti-thrust latchbolt.
- Inside turn allows free escape at all times.
- The base of outside of unit operates as integral pull.
- 'Slipping clutch' mechanism allows outside turn to slip through 90° if forced, preventing illegal entry and damage to lock.
- Codes easily changed without removing lock from door.
- Key override facility is not available.
- Compatible with Allgood rim nightlatches.
- Suitable for doors 44mm.
- Other finishes available on request.

Finish: SC

