

8 Inclusive design

Care and Maintenance

Care and maintenance are important factors in ensuring that Allgood Hardware maintains the high quality finish for many years to come, and that working components give trouble-free operation. The frequency of maintenance will depend on the amount of use.

Fixings

All Allgood Hardware items are fixed using Pozidriv/Supadriv screws and the correct screwdrivers must be used. Ask for Allgood Hardware XX5321/2/3 drivers. Do not use Phillips drivers as they are not compatible.

Care and maintenance	8.0
Introduction	8.1
Doc M pack.	8.2
Lever handles	8.3
Limbar handles	8.4
Grab handle	8.5

The DDA (Disability Discrimination Act) of 1995 has been introduced in a number of stages since December 1996. Since October 1999 it has required "service providers" to take reasonable steps to change practices, provide auxiliary aids and remove physical barriers to make the use of the facility more acceptable for disabled users.

The consistent theme of the DDA is that of encouraging the creation of environments encompassing "Inclusive Design" principles, principles that promote easy use of a building by everyone.

After October 2004, reasonable adjustments to the physical features of premises must be made, if it is impossible or difficult for disabled people to access the premises; i.e. in theory at least, all buildings, new and existing, will have to be upgraded.

The following pages in this section are specifically designed to address the area of provision of grab rails for bathrooms, shower areas and WCs. The specifier should always be mindful, however, that many products in other sections of this catalogue also have major implications in creating an inclusive environment, many of which are covered by the DDA.

For further information on specific product areas, please contact your Allgood representative or Allgood plc on 0870 609 0009.

Free information about the Act can be obtained by contacting the DDA Helpline:

Telephone: 0345 622 633

The Code and information about the Act are also available in alternative formats or via the Internet (<http://www.dfee.gov.uk>).

BS 8300

This gives clear guidance on layouts, sizes, fittings etc for almost all types of buildings, except those which are intended for use exclusively by disabled people. It does not make specific recommendations relating to the use of buildings by children.

BS 8300 gives guidance and provides a code of practice as to what is "reasonable", and provides some specific information and some general guidance.

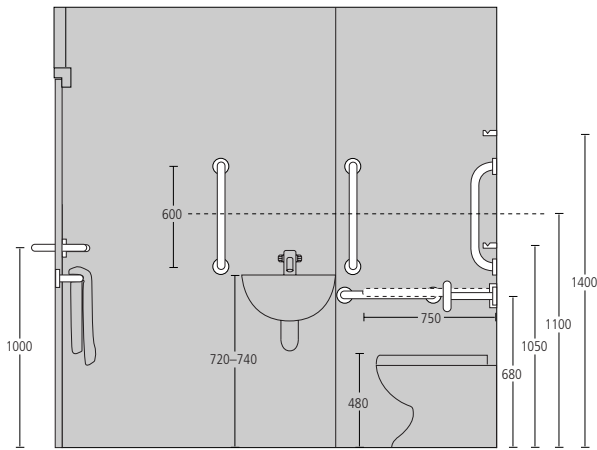


Limbar

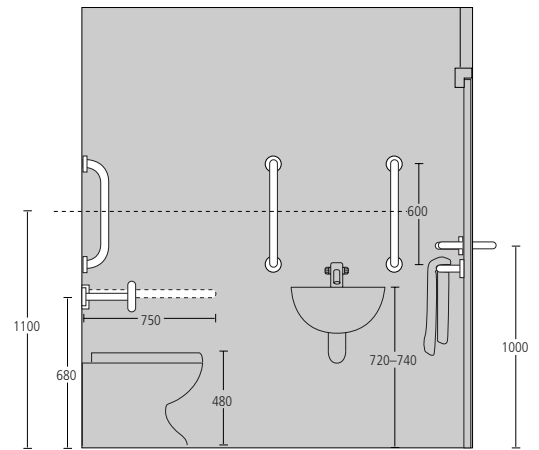
Limbar handles and other special needs fittings have been specifically designed with the disabled in mind.

Lever and pull handles are based on the principle of forearm operation combining ease of use with both safety for the user and good design.

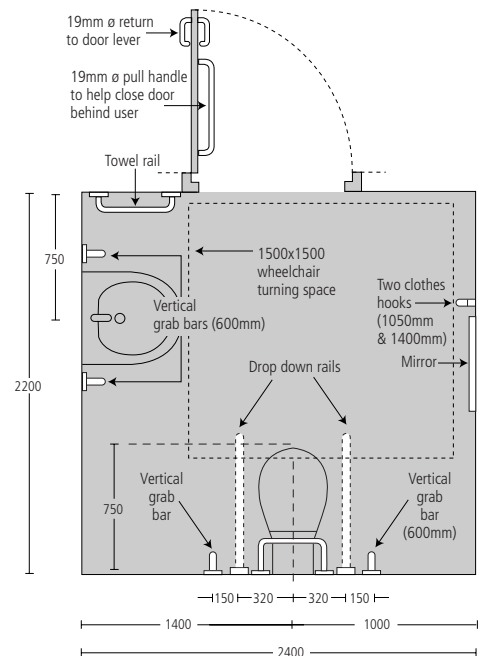
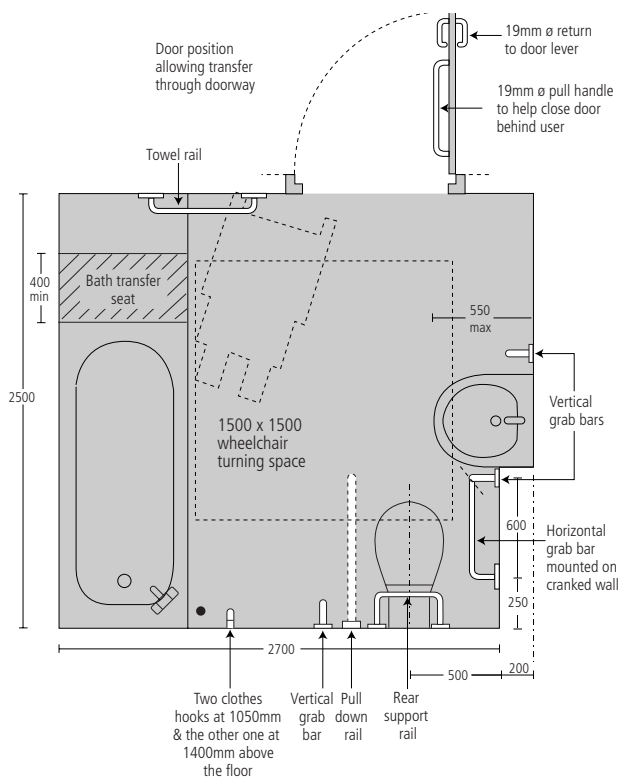
The following are examples from BS 8300.
 The standard itself however lists many more specific situations in detail and should be consulted if in doubt.



Bathroom for independent use incorporating a corner WC.



Unisex accessible peninsular WC for assisted use.



16010

Doc M pack

The Allgood Doc M pack includes:

- 1x 16000 Lift-up support rail
- 3x 16001 Support rails
- 1x 16002 Backrest rail

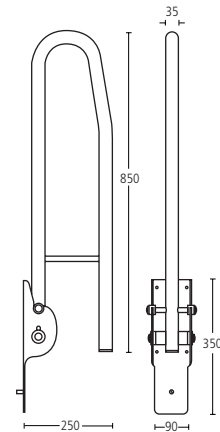
All rails are supplied complete with fixings for walls and include earth-bonding terminals as required by current IEE wiring regulations.

Finishes: SS • PS

16000

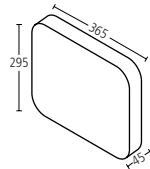
Lift-up support rail.

Finishes: SS • PS



XX16002P

Neutral grey vinyl covered backrest pad.



Fixing details for the backrest rail

The backrest rail is supplied with fixing instructions and template and must be fixed into brickwork, blockwork or timber to ensure a secure and proper fitting. Fixing packs for both brickwork/blockwork and timber are supplied.

Fixing pack for brickwork/blockwork includes:

- 4x M6x50mm button tip, hexagon recess stainless steel machine thread screws.
- 4x M6 drop-in anchors.

Fixing pack for timber includes:

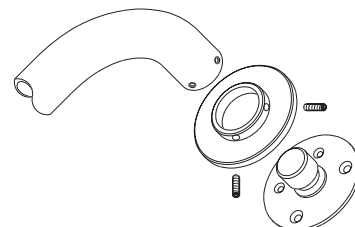
- 4x No.12x50mm stainless steel wood screws.

Fixing detail for the 16001 support rail and the 16002 backrest rail

The support rails must be fixed into brickwork, blockwork or timber to ensure a secure and proper fitting.

Fixing pack includes:

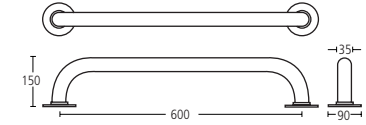
- 8x No.10x50mm stainless steel wood screws.
- 8x plastic plugs.



16001

Support rail.

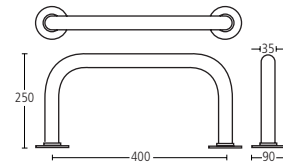
Finishes: SS • PS



16002

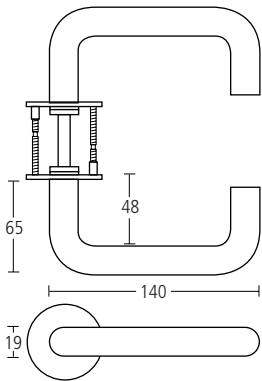
Backrest rail.

Finishes: SS • PS

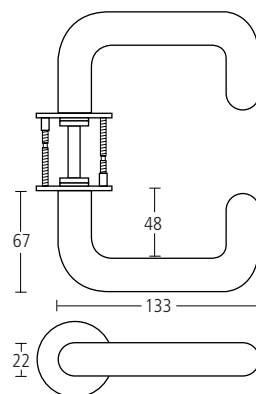




Modric 3502D
Pair of 19øx140x65mm safety lever handles on 50øx3mm concealed Quadaxial fixing roses.
Finish: SS • PS • MA • TA • PB • PZ



Modric 3506D
Pair of 22øx133x67mm safety lever handles on 50øx3mm concealed Quadaxial fixing roses.
Finishes: SS • PS • MA • TA • PB • PZ

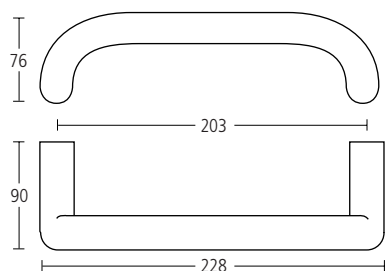




6751

25øx228x90mm Limbar push/pull handle, with bolt through fixings. Suitable for doors 10-55mm thick. Fixing centres at 203mm.

Finishes: MA • TA



6751BB

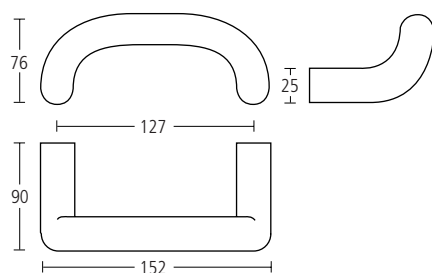
As above, pair, with back-to-back fixings.

Finishes: MA • TA

6750

25øx152x90mm Limbar push/pull handle, with bolt through fixings. Suitable for doors 10-55mm thick. Fixing centres at 127mm.

Finishes: MA • TA



6750BB

As above, pair, with back-to-back fixings.

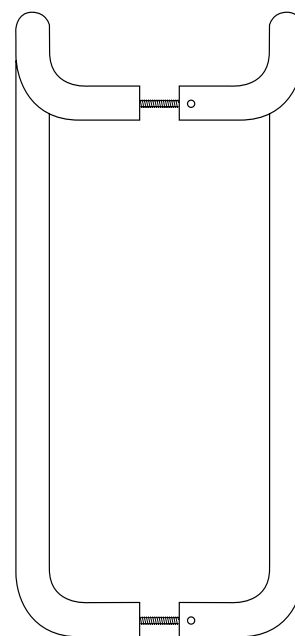
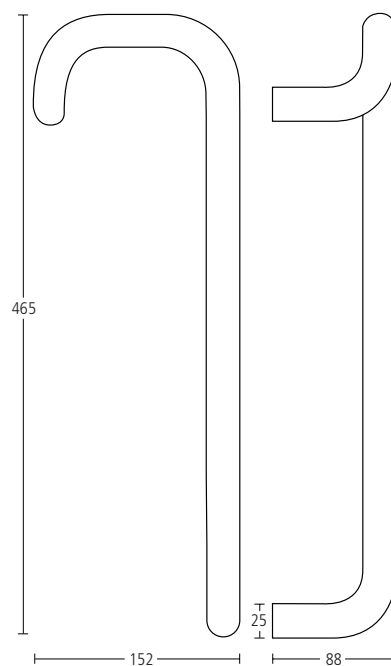
Finishes: MA • TA



6752L/R

25øx465x88mm Limbar push/pull handle with bolt through fixings. STATE HAND. Left hand shown.

Finishes: MA • TA



6752BBL/R

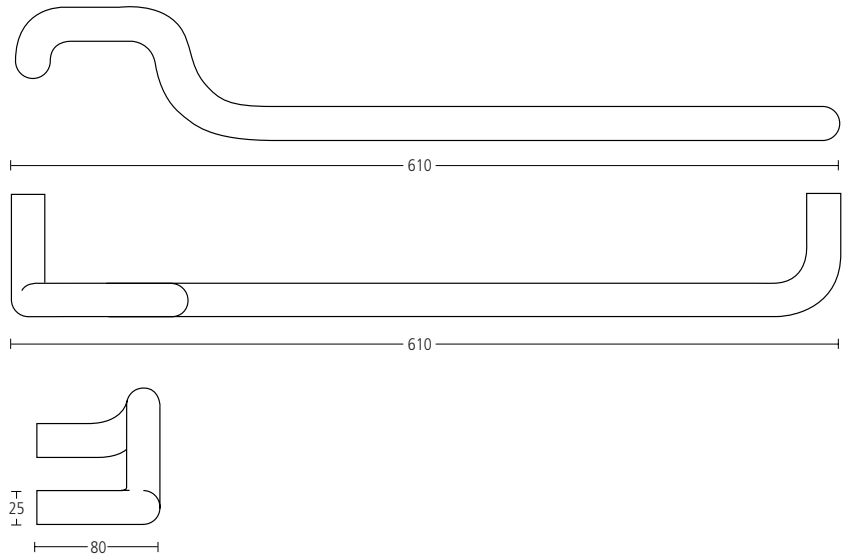
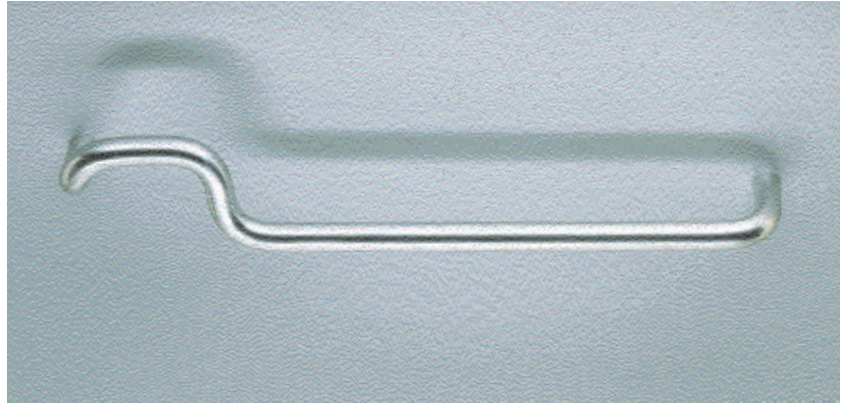
25øx465x88mm Limbar push/pull handles, pair, with back-to-back fixings. Suitable for doors 10-55mm thick. STATE HAND. Left hand shown

Finishes: MA • TA

6753L/R

25x610x80mm Limbar push/pull handle with bolt through fixings. STATE HAND. Right hand shown.

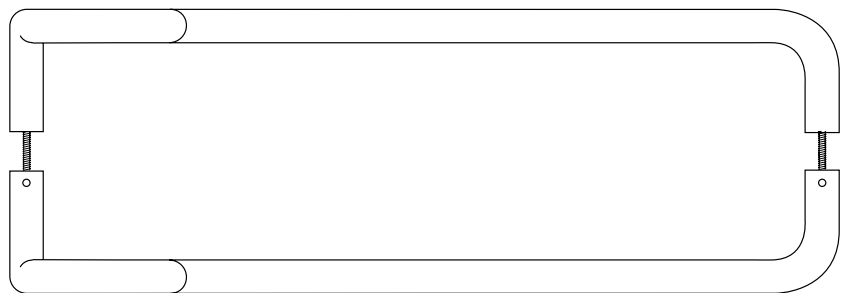
Finishes: MA • TA



6753BBL/R

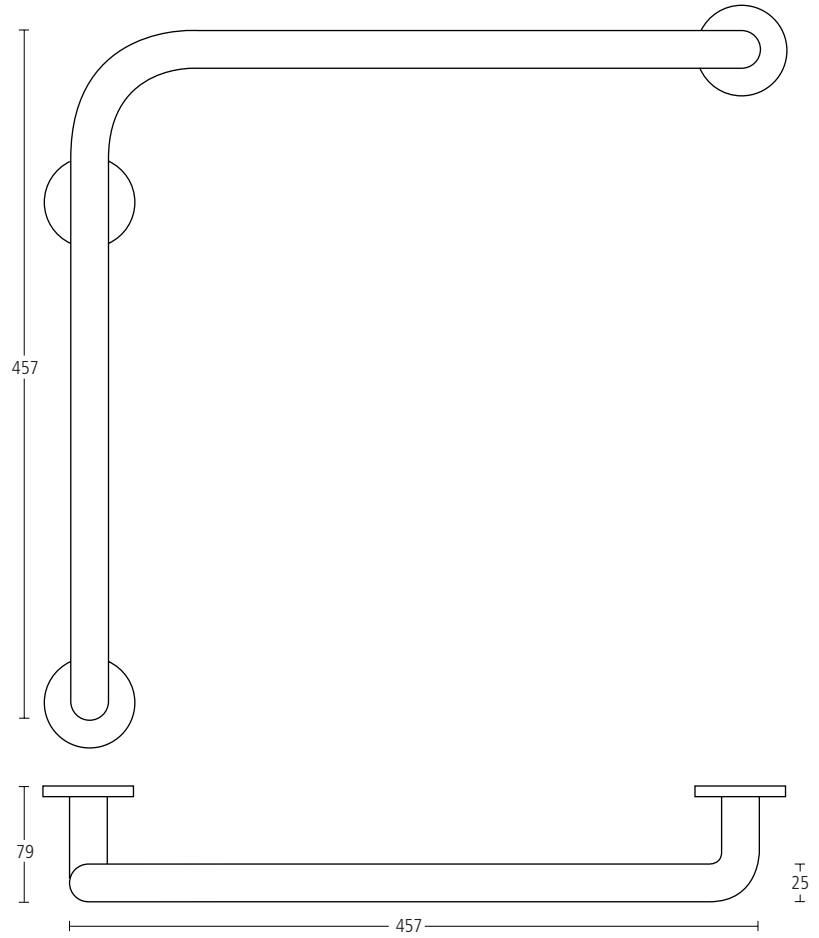
As above, pair, with back-to-back fixings for doors 10-55mm thick. STATE HAND. Right hand shown

Finishes: MA • TA



6560 L/R

25øx457x457x79mm Grab handle with 3 point fixing.
STATE HAND. Left hand shown.
Finishes: MA • TA



6749N

47mmøx3mm Heavy duty roses, pair, for pull handles and grab handles.

Finishes: MA • TA • SS • PS

