

5.2 Cylinders and Padlocks

Care and Maintenance

Care and maintenance are important factors in ensuring that Allgood Hardware maintains the high quality finish for many years to come, and that working components give trouble-free operation. The frequency of maintenance will depend on the amount of use.

Fixings

All Allgood Hardware items are fixed using Pozidriv/Supadriv screws and the correct screwdrivers must be used. Ask for Allgood Hardware XX5321/2/3 drivers. Do not use Phillips drivers as they are not compatible.

It is essential that only special aerosol lubricant XX9568 be used in and around the cylinder, cylinder and turn and the key.

Emit cylinders

For further information, see Secure Section 6.1.

Contents

- Care and maintenance
- Introduction
- Electronic cylinders – Emit
- Master keying
- Advanced cylinder series
- Advanced high security cylinder series
- Cylinder turns
- Padlocks

EMIT ELECTRONIC CYLINDER SERIES

Emit is the revolutionary form of electronic cylinder which provides the means to constantly reprogramme a master key system, combating the ever-changing security needs of a building.

The innovation that lies at the very heart of Emit is that the system operates via encrypted data signals. The cylinder is fitted into a standard Euro profile lockcase which is then operated by a transponder. 'Key' holders simply press the button on their transponder. A two-way verification dialogue takes place between transponder and cylinder and the external knob is engaged, allowing access.

Other features include:

- Armoured and drill protected casing, provides a high level of security.
- Vandal resistant. The operating electronics are held within the internal turn.
- Managed from a PC or laptop, easy to use software makes designing and manipulating even the most complex locking plan simply a matter of putting X's in a grid.
- When a transponder is lost, the system allows you to simply reprogramme the existing cylinder, deleting the missing transponder's code and disarming it completely to maintain maximum security.
- Also available with the extra features of audit trailing and time zoning.

THE ADVANCED AND ADVANCED HIGH SECURITY CYLINDER SERIES

Consist of high quality cylinders to suit every Allgood Hardware cylinder lock.

- Euro profile and oval cylinders and cylinder turns for mortice locks.
- Round threaded cylinders and cylinder turns for Adams Rite locks and locking attachments.
- Round cylinders for cylinder rim night latches.

Cylinders are supplied with 2 keys each (Advanced) or 3 keys each (Advanced High Security) as standard.

Euro profile and oval cylinders are available in 3 lengths – 65mm, 73mm and 85mm for double cylinders; 42.5mm, 46.5mm and 52.5mm for single cylinders – to suit a wide range of door thicknesses. 65mm (double) and 42.5mm (single) cylinders are supplied as standard; please state on your order if doors are more than 49mm thick.

If the lock is to be installed off-centre, contact your nearest Allgood office for assistance. A far greater range of Euro profile cylinder lengths is available, including a limited number of offset lengths for locks installed off-centre. These must be ordered specially.

Cylinder turns feature the unique Allgood turn.

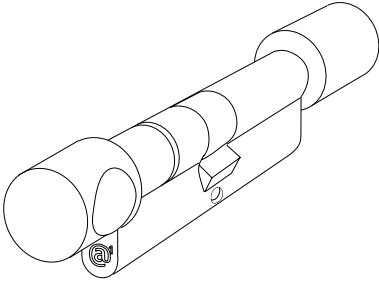
All cylinders are available individually keyed or as part of a master key suite to customer requirements.

Allgood can also provide a construction master key system; for convenience, construction master keys can be used during the construction phase which are then rendered inoperable on completion of the project, by simple insertion of the new key. This provides the assurance of total security on building completion without the expensive and time-consuming need to change over cylinders (see Master Keying).

Every Allgood Hardware mechanical product carries a 10 year guarantee.

72200SN

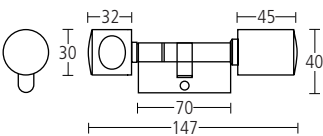
Emit electronic locking cylinder with operation by transponder.



- Satin nickel plated finish with stainless steel knobs.
- Internal turn always free to escape.
- External turn free rotates until encrypted code is accepted.
- All the electronics of the cylinder are housed within the internal turn.
- Armoured and drill protected cylinder casing. Euro profile cylinder available as 70mm standard length. Other cylinder lengths are available to special order.

Finishes:

Satin nickel – XX72200SN (full ref.)



For further information on Emit please see Section 6.1

72202SN

As above, but with both turns controlled.

72210SN

As 72200SN, but with time profiles, access logging and audit trails.

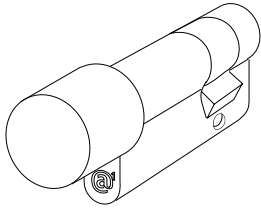
72212SN

As 72210SN, but with both turns controlled.

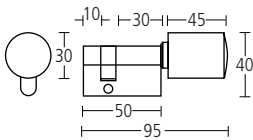


722015N

Emit electronic locking half cylinder.



Turn free rotates until encrypted code is accepted. Satin nickel plated finish with stainless steel knobs.



722115N

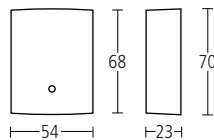
As above but with time profiles, access logging and audit trails.

72230

Emit electronic processor unit.

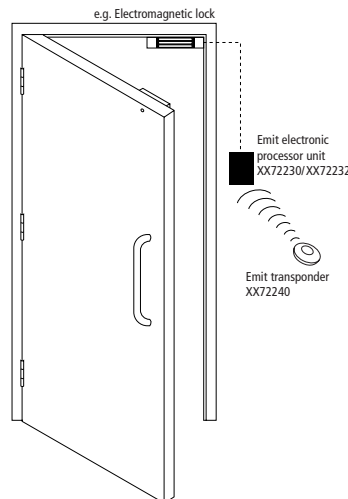


To control independent locking hardware. Requires external power supply.



72232

As above but with time profiles, access logging and audit trails.



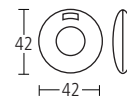
The Emit electronic processor unit can be used in applications where the Emit cylinder is not suitable. The processor can be used to activate a wide range of devices, such as electromagnetic solenoid locks, electric strikes, automatic door operators, barriers and lifts and in some instances, can be used in conjunction with cashless vending systems.

72240

Emit remote slimline transponder.

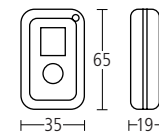


With bi-directional, high security access protocol to control all Emit locking devices. Black moulded case.



72244

Emit high security transponder with Biometric reader that stores the owner's fingerprint details.



72253

Emit configurator. Enables a PC or laptop to programme and interrogate all Emit devices. Requires one free serial port and Windows 95 and Pentium processor or better.

A full master keying service is available for Allgood Hardware cylinders. These can be produced under sub and grand master key systems to customers' details, which in turn can incorporate construction master keying.

Allgood Hardware Euro profile, oval, round threaded and rim cylinders and cylinder padlocks can be suited together. However, it should be noted that the Advanced Cylinder Series and the Advanced High Security Cylinder Series use different key sections, so they cannot be suited together under the same master keying system.

Allgood also offers the convenience of a construction master key system. Keys are provided for the construction phase which are then rendered void on completion of the project, by simple insertion of the new key. From this moment on, the full master key system comes into effect. So site personnel, for example, can be given a key which will meet their needs but which will cease to be of use once client/building owner uses his key. The only alternatives are either to risk leaving a key in the wrong hands or to change over cylinders when construction is complete – clearly a costly and arduous task. With Allgood's construction master key system, security is maximised whilst labour and materials costs are kept to a minimum.

Master key suites can be delivered with a computer generated keyplan. Key and door numbers are recorded.

Master key systems are tailored to your requirements. Opposite some examples are illustrated of the various master keying arrangements available. Please contact your nearest Allgood office for assistance.

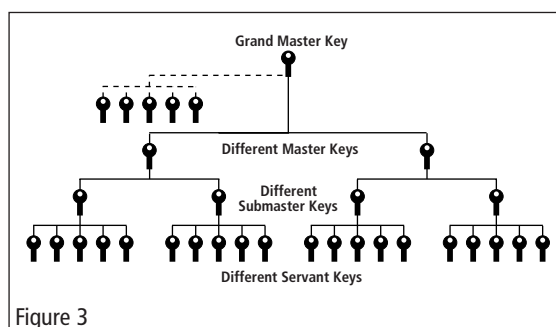
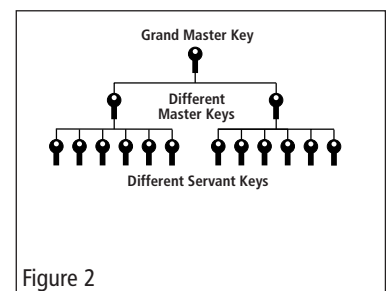
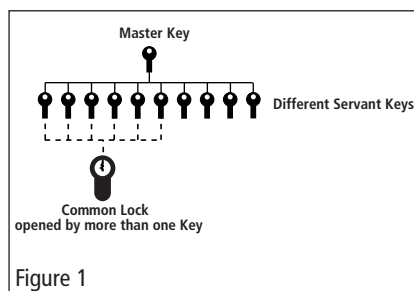
Figure 1 shows the simplest form – a plain master keyed system. In this system a single key – the master key – will operate all locks in the system while each lock has its own individual key – the servant key. It is sometimes required that several servant keys should be able to operate one common lock (e.g. the lock for the entrance door of a block of flats). This arrangement is shown in dotted lines on the illustration.

Provided the number of different keys which are to operate the common lock are few in number, the arrangement is satisfactory and convenient. With a large number of different keys the security of the common lock is reduced almost to extinction. Under these circumstances it is preferable to fit, for the common lock, one which is outside the master keyed system altogether.

Figures 2 & 3 show more elaborate master keyed systems wherein there are two or more different levels of master key.

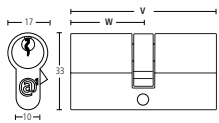
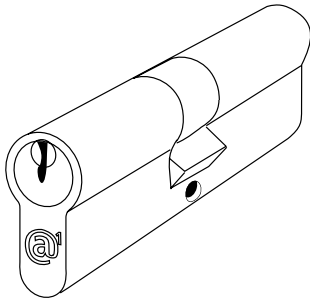
In Figure 3 the dotted lines show that a group of locks, each with their own servant key, can be made to accept the grand master key only and exclude any master key of lower levels.

A suite expansion of approximately 20% is built into all plans. More can be catered for, only if requested when ordering.



7418A

Euro profile double cylinder with key operation on both sides.



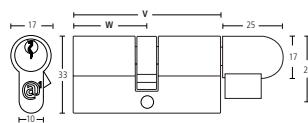
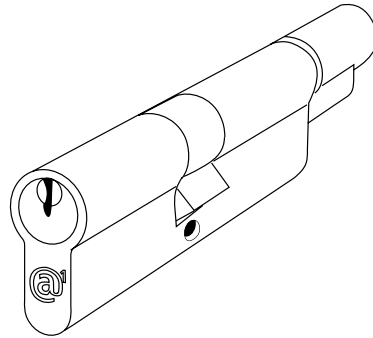
Variations (mm)

	V	W
a	65	32.5 (standard)
b	73	36.5
c	85	42.5

Finishes: MA • SC • PC • TA • PB • PZ
Satin nickel – XX7418NA (full ref.)

7419A

Euro profile cylinder with key operation on one side and unique Allgood turn on the other.



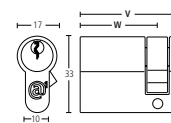
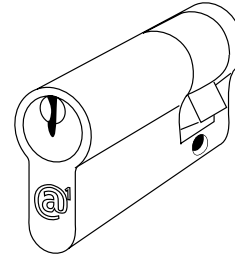
Variations (mm)

	V	W
a	65	32.5 (standard)
b	73	36.5
c	85	42.5

Finishes: MA • SC • PC • TA • PB • PZ
Satin nickel – XX7419NA (full ref.)

7420A

Euro profile single cylinder with key operation on one side only.



Variations (mm)

	V	W
a	42.5	32.5 (standard)
b	46.5	36.5
c	52.5	42.5

Finishes: MA • SC • PC • TA • PB • PZ
Satin nickel – XX7420NA (full ref.)

Advanced mechanical cylinder series

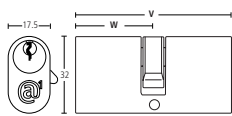
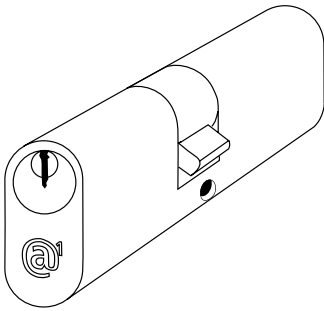
Features and their benefits

- 65 or 42.5mm length cylinder supplied as standard. If door thickness is greater than 49mm, please state on your order
- Available in three lengths, to suit a wide range of door thicknesses. A wider range of cylinder lengths is available to special order
- If lock is installed off-centre, please contact your nearest Allgood office for assistance
- Tested to BS EN 1303, Grade 6 durability, Grade 2 security
- Double paracentric keyway overlapping in three positions; resists picking
- Mushroom type drivers; make aligning of the pins by a picking tool almost impossible
- Off-centre cam protrudes from the cylinder body when the key is removed; prevents cylinder being driven through the lockcase by severe force such as by a hammer
- 5 pins with a hardened steel pin and driver in the first position; resist drilling through pins
- Hardened steel anti-drill pin at each end resist drilling through body
- Exclusive "TG" Triple Grooved anti-pick pins provide even greater resistance to picking
- Supplied with 2 keys as standard (unless specified). Additional keys provided within 24 hours (excluding Master suiting), are available from Allgood; greater assurance of security
- Available individually keyed or as part of a master key suite to customer requirements
- Allgood can also provide a construction master key system affording convenience during the construction phase and the assurance of total security on building completion, without the need to change over cylinders (see Master Keying section)
- It is essential that only special aerosol lubricant XX9568 be used in and around the cylinder/cylinder & turn, and the key. Do not use oil, grease or other lubricants.

Finishes: MA • TA

7406A

Oval double cylinder with key operation both sides.



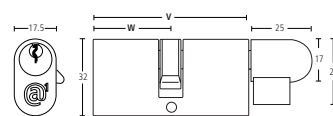
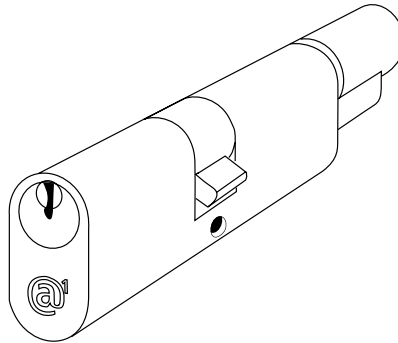
Variations (mm)

	V	W
a	65	32.5 (standard)
b	73	36.5
c	85	42.5

Finishes: MA • SC • PC • TA • PB • PZ

7414A

Oval cylinder with key operation on one side and unique Allgood turn on the other.



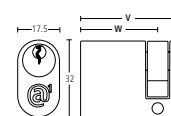
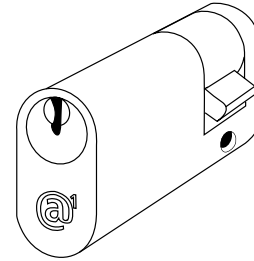
Variations (mm)

	V	W
a	65	32.5 (standard)
b	73	36.5
c	85	42.5

Finishes: MA • SC • PC • TA • PB • PZ

7408A

Oval single cylinder with key operation on one side only.



Variations (mm)

	V	W
a	42.5	32.5 (standard)
b	46.5	36.5
c	52.5	42.5

Finishes: MA • SC • PC • TA • PB • PZ

Advanced mechanical cylinder series

Features and their benefits

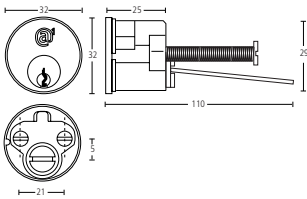
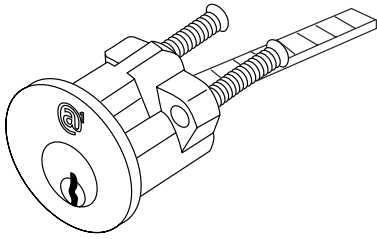
- 65 or 42.5mm length cylinder supplied as standard. If door thickness is greater than 49mm, please state on your order
- Available in three lengths, to suit a wide range of door thicknesses. A wider range of cylinder lengths is available to special order
- If lock is installed off-centre, please contact your nearest Allgood office for assistance
- Tested to BS EN 1303, Grade 6 durability, Grade 2 security
- Double paracentric keyway overlapping in three positions; resists picking
- Mushroom type drivers; make aligning of the pins by a picking tool almost impossible
- Off-centre cam protrudes from the cylinder body when the key is removed; prevents cylinder being driven through the lockcase by severe force such as by a hammer

- 5 pins with a hardened steel pin and driver in the first position; resist drilling through pins
- Hardened steel anti-drill pin at each end resist drilling through body
- Exclusive "TG" Triple Grooved anti-pick pins provide even greater resistance to picking
- Supplied with 2 keys as standard (unless specified). Additional keys provided within 24 hours (excluding Master suiting), are available from Allgood; greater assurance of security
- Available individually keyed or as part of a master key suite to customer requirements
- Allgood can also provide a construction master key system affording convenience during the construction phase and the assurance of total security on building completion, without the need to change over cylinders (see Master Keying section)

- It is essential that only special aerosol lubricant XX9568 be used in and around the cylinder/cylinder & turn, and the key. Do not use oil, grease or other lubricants.

7401A

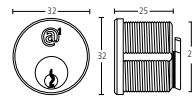
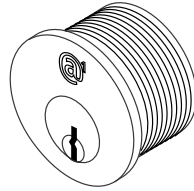
Round cylinder for 8369 and 8370 rim night latches and 9315 Touchbar panic hardware.



Finishes: SC • PC • TA • PB • PZ

7402A

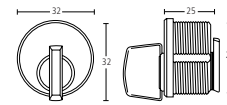
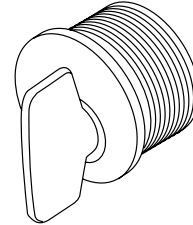
Round threaded cylinder to suit 9316A external access device and Adams Rite locks.



Finishes: SC • PC • TA • PB • PZ

7402T

Round threaded cylinder turn to suit Adams Rite locks.



Finishes: MA • TA • PZ

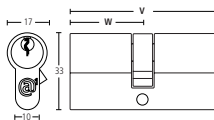
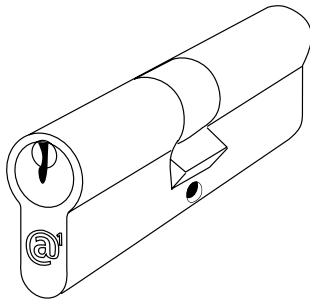
Round threaded advanced cylinders

Features and their benefits

- Tested to BS EN 1303, Grade 6 durability, Grade 2 security
- Double paracentric keyway overlapping in three positions; resists picking
- Mushroom type drivers; make aligning of the pins by a picking tool almost impossible
- 5 pins with a hardened steel pin and driver in the first position; resist drilling through pins
- Hardened steel anti-drill pin at each end of the body; resist drilling through body
- Exclusive "TG" Triple Grooved anti-pick pins; provide even greater resistance to picking
- Supplied with 2 keys as standard (except cylinders to pass, where one key is supplied)
- Replacement keys are available from Allgood
- Available individually keyed or as part of a master key suite to customer requirements
- Allgood can also provide a construction master key system affording convenience during the construction phase and the assurance of total security on building completion, without the need to change over cylinders (see Master Keying section)
- It is essential that only special aerosol lubricant XX9568 be used in and around the cylinder, and the key. Do not use oil, grease or other lubricants.

7436APR

High security Euro profile double cylinder with key operation on both sides.



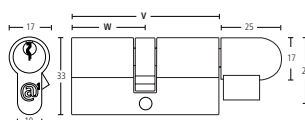
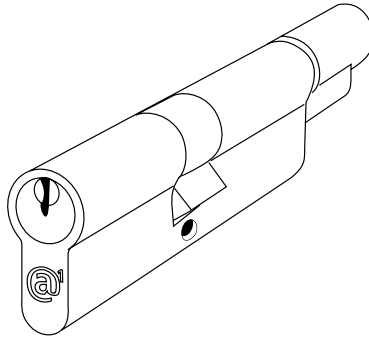
Variations (mm)

	V	W
a	65	32.5 (standard)
b	73	36.5
c	85	42.5

Finishes: MA • SC • PC • TA • PB • PZ

7444APR

High security Euro profile cylinder with key operation on one side and unique Allgood turn on the other.



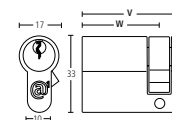
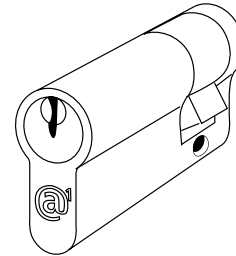
Variations (mm)

	V	W
a	65	32.5 (standard)
b	73	36.5
c	85	42.5

Finishes: MA • SC • PC • TA • PB • PZ

7438APR

High security Euro profile single cylinder with key operation on one side only.



Variations (mm)

	V	W
a	42.5	32.5 (standard)
b	46.5	36.5
c	52.5	42.5

Finishes: MA • SC • PC • TA • PB • PZ

Advanced high security mechanical cylinder series

Features and their benefits

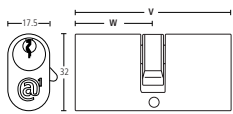
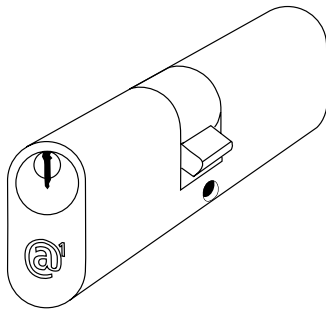
- 65 or 42.5mm length cylinder supplied as standard. If door thickness is greater than 49mm, please state on your order
- If lock is installed off-centre, please contact your nearest Allgood office for assistance
- Available in three lengths, to suit a wide range of door thicknesses. A wider range of cylinder lengths is available to special order
- Tested to BS EN 1303, Grade 6 durability, Grade 3 security
- 7,000,000 possible combinations.
- Accentuated double paracentric keyway pushes any picking tool to the side of the pins; enhances anti-picking resistance
- Unique complex keyways with multiple side bittings – even greater assurance of security

- Side bittings operate independently from the main pins; enhancing security and adding to the master keying potential
- 6 pins; more pins means greater security
- Any attempt to align the pins will activate a deadlocking pin; preventing plug rotation when pins are depressed by a picking-tool
- Two hardened steel anti-drill pins in both the body and the plug; enhance anti-drill resistance
- For added security, replacement keys and additional cylinders are only available against records maintained on a Computer Aided Registration System (CARS)
- Supplied with 3 keys as standard (except cylinders to pass, where one key is supplied)

- Allgood can also provide a construction master key system affording convenience during the construction phase and the assurance of total security on building completion, without the need to change over cylinders (see Master Keying section)
- It is essential that only special aerosol lubricant XX9568 be used in and around the cylinder, and the key. Do not use oil, grease or other lubricants.

7436A

High security oval double cylinder with key operation on both sides.



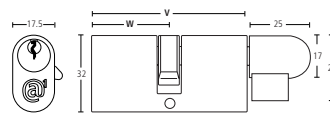
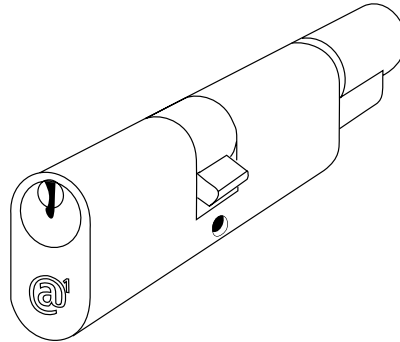
Variations (mm)

	V	W
a	65	32.5 (standard)
b	73	36.5
c	85	42.5

Finishes: MA • SC • PC • TA • PB • PZ

7444A

High security oval cylinder with key operation on one side and unique Allgood turn on the other.



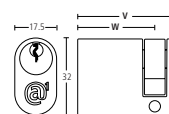
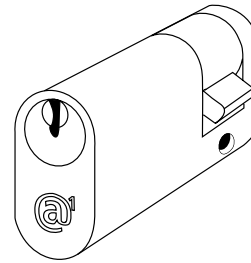
Variations (mm)

	V	W
a	65	32.5 (standard)
b	73	36.5
c	85	42.5

Finishes: MA • SC • PC • TA • PB • PZ

7438A

High security oval single cylinder with key operation on one side only.



Variations (mm)

	V	W
a	42.5	32.5 (standard)
b	46.5	36.5
c	52.5	42.5

Finishes: MA • SC • PC • TA • PB • PZ

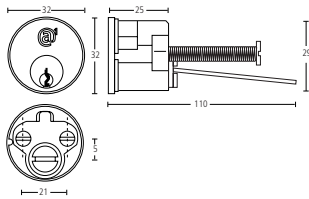
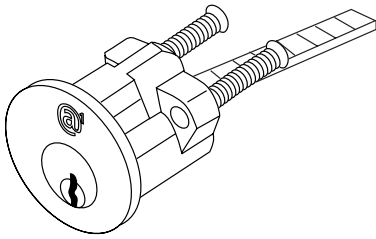
Advanced high security mechanical cylinder series

Features and their benefits

- 65 or 42.5mm length cylinder supplied as standard. If door thickness is greater than 49mm, please state on your order
- If lock is installed off-centre, please contact your nearest Allgood office for assistance.
- Available in three lengths, to suit a wide range of door thicknesses. A wider range of cylinder lengths is available to special order
- Tested to BS EN 1303, Grade 6 durability, Grade 3 security
- 7,000,000 possible combinations
- Accentuated double paracentric keyway pushes any picking tool to the side of the pins; enhances anti-picking resistance
- Unique complex keyways with multiple side bittings – even greater assurance of security
- Side bittings operate independently from the main pins; enhancing security and adding to the master keying potential
- 6 pins; more pins means greater security
- Any attempt to align the pins will activate a deadlocking pin; preventing plug rotation when pins are depressed by a picking-tool
- Two hardened steel anti-drill pins in both the body and the plug; enhance anti-drill resistance
- For added security, replacement keys and additional cylinders are only available against records maintained on a Computer Aided Registration System (CARS)
- Available individually keyed or as part of a master key suite to customer requirements
- Supplied with 3 keys as standard (except cylinders to pass, where one key is supplied)
- Allgood can also provide a construction master key system affording convenience during the construction phase and the assurance of total security on building completion, without the need to change over cylinders (see Master Keying section)
- It is essential that only special aerosol lubricant XX9568 be used in and around the cylinder, and the key. Do not use oil, grease or other lubricants.

7431A

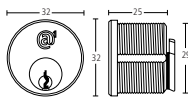
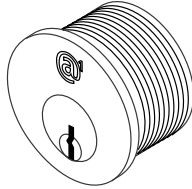
High security round cylinder for 8369 and 8370 rim night latches and 9315 Touchbar panic hardware.



Finishes: SC • PC • TA • PB • PZ

7432A

High security round threaded cylinder to suit 9316A external access device and Adams Rite locks.



Finishes: SC • PC • TA • PB • PZ

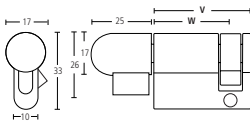
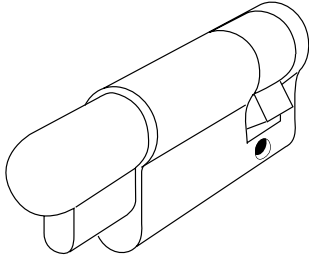
Round threaded advanced high security cylinders

Features and their benefits

- Tested to BS EN 1303, Grade 6 durability, Grade 3 security
- 7,000,000 possible combinations
- Accentuated double paracentric keyway pushes any picking tool to the side of the pins; enhances anti-picking resistance
- Unique complex keyways with multiple side bittings – even greater assurance of security
- Side bittings operate independently from the main pins; enhancing security and adding to the master keying potential
- 6 pins; more pins means greater security
- Any attempt to align the pins will activate a deadlocking pin; preventing plug rotation when pins are depressed by a picking-tool
- Two hardened steel anti-drill pins in both the body and the plug; enhance anti-drill resistance
- For added security, replacement keys and additional cylinders are only available against records maintained on a Computer Aided Registration System (CARS)
- Available individually keyed or as part of a master key suite to customer requirements
- Supplied with 3 keys as standard (except cylinders to pass, where one key is supplied)
- Allgood can also provide a construction master key system affording convenience during the construction phase and the assurance of total security on building completion, without the need to change over cylinders (see Master Keying section)
- It is essential that only special aerosol lubricant XX9568 be used in and around the cylinder, and the key. Do not use oil, grease or other lubricants.

7447APR

Euro profile cylinder with unique Allgood turn only.



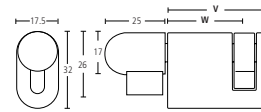
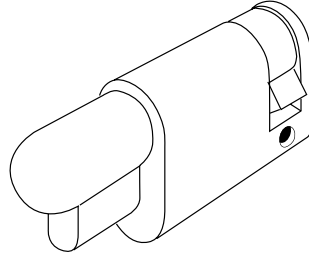
Variations (mm)

	V	W
a	42.5	32.5 (standard)
b	46.5	36.5
c	52.5	42.5

Finishes: MA • SC • PC • TA • PB • PZ

7447A

Oval cylinder with unique Allgood turn only.



Variations (mm)

	V	W
a	42.5	32.5 (standard)
b	46.5	36.5
c	52.5	42.5

Finishes: MA • SC • PC • TA • PB • PZ

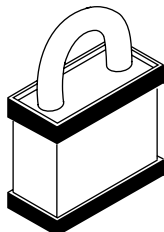
Cylinder and turn only

Features and their benefits

- 42.5mm length cylinder supplied as standard. If door thickness is greater than 49mm, please state on your order.
- If lock is installed off-centre, please contact your nearest Allgood office for assistance.
- A wider range of cylinder lengths is available to special order.
- Available in three lengths, to suit a wide range of door thicknesses.
- It is essential that only special aerosol lubricant XX9568 be used in and around the cylinder, and the cylinder and turn. Do not use oil, grease or other lubricants.

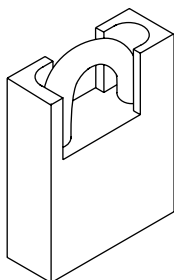
XX8363A

Advanced cylinder padlock.



XX8365A

Advanced cylinder padlock.

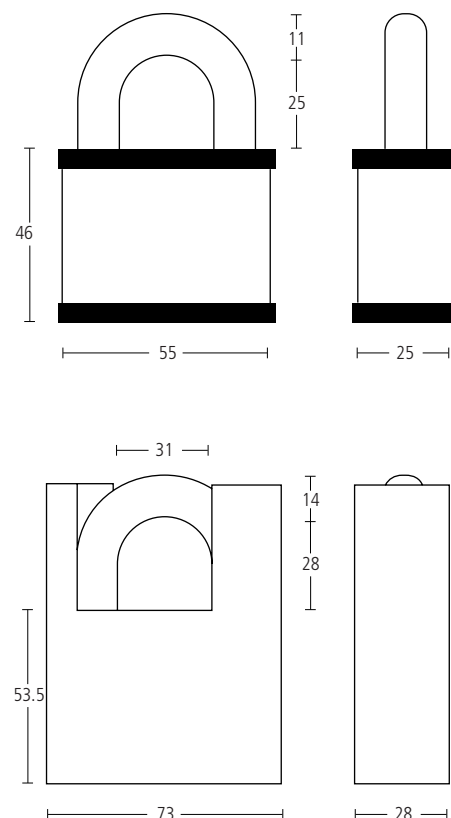


Advanced padlocks

Features and their benefits

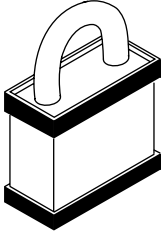
- 2 or 3 nickel silver keys supplied as standard
- Full master keying available in combination with other Allgood Hardware cylinder locks with Advanced or Advanced High Security cylinders – see Master Keying
- Anti-pick paracentric keyway
- Open or Closed Shackle
 - special hardened steel
 - replaceable
- Pins
 - exclusive Triple Grooved (TG)
 - bronze, wear resistant
 - hardened steel in first position
- Drivers
 - brass mushroom type
 - hardened steel plain type in first position
- High grade, corrosion resistant finish
- Carbon nitrogen hardened steel body
- 2 hardened steel locking balls
- 2 carbon nitrogen hardened steel drill resistant plates

- Rubber bumper on XX8363A
- It is essential that only special aerosol lubricant XX9568 be used in and around the cylinder, and the key. Do not use oil, grease or other lubricants.



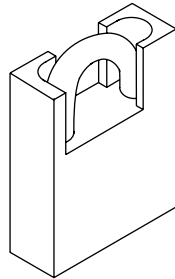
XX8364A

Advanced High Security cylinder padlock.



XX8366A

Advanced High Security cylinder padlock.



Advanced high security padlocks

Features and their benefits

- 3 nickel silver keys supplied as standard
 - Full master keying available in combination with other Allgood Hardware Advanced High Security cylinders – see Master Keying
 - Anti-pick paracentric keyway
 - Open or Closed Shackle
 - special hardened steel
 - replaceable
 - Pins
 - exclusive Triple Grooved (TG)
 - bronze, wear resistant
 - hardened steel in first position
 - Drivers
 - brass mushroom type
 - hardened steel plain type in first position
 - High grade, corrosion resistant finish
 - Carbon nitrogen hardened steel body
 - 2 hardened steel locking balls
- 2 carbon nitrogen hardened steel drill resistant plates
 - Rubber bumper on XX8364A
 - It is essential that only special aerosol lubricant XX9568 be used in and around the cylinder, and the key. Do not use oil, grease or other lubricants.

