

# 6.6 Automatic door operators

## Foreword

Automatic door operators can enable a door to be opened without being touched. The 'trigger' for a door to be opened can be a wide range of devices including a radar sensor, push button or elbow pad.

The recommendations laid out in Approved Document M "Access to and use of buildings" Section 2 specifically state that, "powered door opening and closing systems, either manually controlled or automatically operated by sensors, are the most satisfactory solution for most people".

For further explanation of the above points please see the introduction to Allgood Secure.

Allgood Secure's automatic swing door operators enjoy a wide range of applications. They promote hygiene in hospitals, doctors surgeries and toilets. They provide assistance to the elderly or disabled and convenience in shops, schools and airports. They help conserve energy when incorporated into draught-proof systems, studios and entrances to refrigeration rooms. They are ideal where safety is paramount such as on doors along compartmentalised passages or when, in the event of a power failure, doors must automatically open or close.

Automatic door operators can be integrated with access control systems, enabling Allgood Secure to provide onestop solutions to the problems of the architect, specifier, contractor and end user. Furthermore, Allgood Secure's specification ability will ensure compliance with relevant British Standards, safety regulations and user needs. These needs are met by operational functions such as controlled access, hands-free use, smoke vent operation and features such as adjustable hold-open, opening angle, latch action and closing speed times.

There are four main ranges of Automatic swing door operators:

- The high performance series for all applications. Particularly suitable for high frequency doors and main entrance doors.
- The slimline range. A light duty, compact unit for quiet and unobtrusive operation.
- The low-energy operators for medium to light duty use
- Allgood Secure's floor mounted operators for optimum aesthetics.

Allgood Secure can also provide smoke extraction systems for doors and windows and offers a full signage preparation service according to your specific requirements.

**Note:** the specification, installation, maintenance and use of powered doors for pedestrians is the subject of British Standard BS7036. It is the responsibility of the specifier to ensure conformity with this standard. Our Allgood Secure advisors have undertaken an independent examination, (Automatic Door Suppliers Association) covering BS7036.

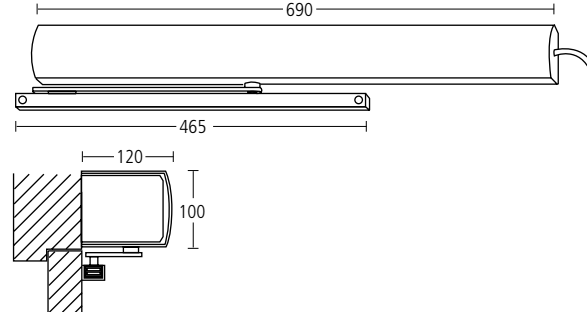
## Contents

- Foreword
- High performance series
- Slimline range
- Low energy range
- Floor mounted range
- Accessories



## 71991

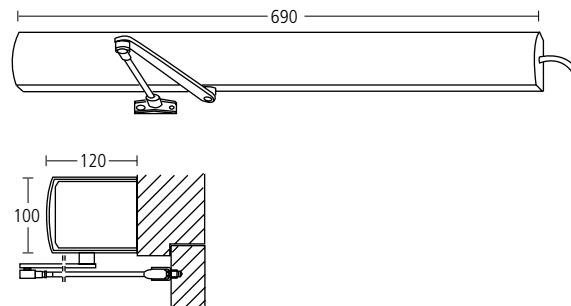
Single operator, frame mounted on pull side of door. Complete with 71999 safety sensors and 71999CO safety sensor cut-out switch. Aluminium finish.



- Allgood Secure flagship automatic door operator series.
- Designed for heavy-duty usage on most internal or external, single or double, left or right handed doors. This includes designated fire doors and, when specified in conjunction with the necessary safety devices, the unit will meet the requirements of the British Standard for powered doors (BS7036).
- In combination with the Allgood Secure range of actuators and safety sensors, the automatic operators are capable of meeting the most demanding of situations.
- Frame mounted unit, suits all standard door materials – timber, steel, aluminium and glass.
- Safety sensors prevent the door from opening against an obstacle.
- Doors can still be opened manually even when the drive is switched on and in the event of a power failure.
- Closing speed, power (2–5), latch action, opening angle and hold open time are all adjustable
- Power – 230/240v AC mains.
- Maximum door size – weight: 250kg / width: 1400mm (push side fixing), 890-950mm (pull side fixing).  
Minimum door width – 590mm (push side fixing), 650mm (pull side fixing).
- Available in a range of finishes to suit most specifications.
- Illustration shows 71992 operator within optional stainless steel housing.

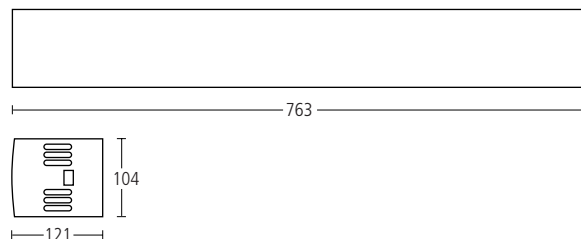
## 71992

Single operator, frame mounted on push side of door. Complete with 71999 safety sensors and 71999CO safety sensor cut-out switch. Aluminium finish.



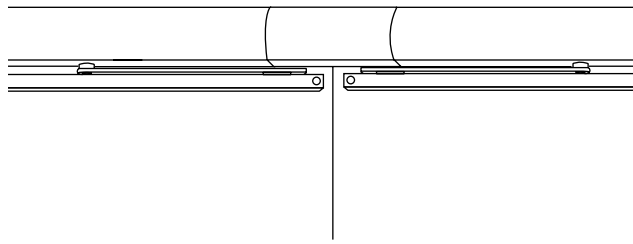
## 71990

Custom stainless steel housing to fully enclose single operator units (as shown in photograph).



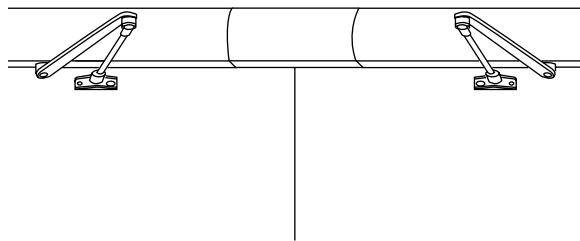
71993

Double operator, frame mounted on pull side of door. Comprises one master and one slave unit. Complete with 71999 safety sensors and 71999CO safety sensor cut-out switch. Aluminium finish. A bespoke aluminium infill cover is available to join the two units (as shown in diagram).



71994

As above, frame mounted on push side of door.



71990D

Custom stainless steel housing to fully enclose double operator units when used in conjunction with 2No 71990SS. Manufactured to exact requirements according to door width when item has been installed.

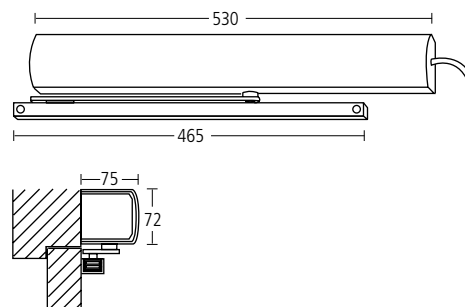




- Designed for light-duty use on internal single or double, left or right handed doors.
- Almost silent in operation.
- Unobtrusive, lightweight, compact design.
- Door or frame mounted unit, suits all standard door materials – timber, steel, aluminium and glass.
- Two part option allows for minimal hardware to be visible on the door, without compromising operational efficiency.
- Combines fine aesthetics with high performance.
- Automatically reverses on low energy contact with any obstruction; depending on the application, this may eliminate the need for costly safety sensors.
- Not suitable for use on designated fire doors.
- Doors can still be opened manually even when the drive is switched on and in the event of a power failure.
- Opening and closing speed, hold open time and response delay time to movement detectors are all adjustable.
- Power – 230/240v AC mains or 24v DC.
- Maximum door size – weight: 100kg / width: 1000mm.  
Minimum door width – 550mm (push side fixing), 650mm (pull side fixing).
- Available in a range of finishes to suit most specifications.
- Photograph shows 71983 operator within optional stainless steel housing.

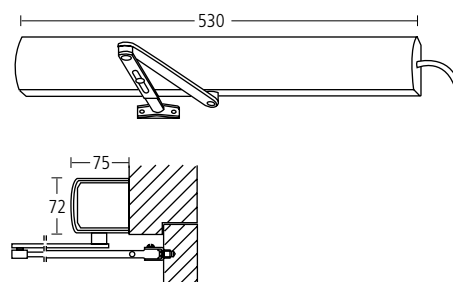
### 71982

Door or frame mounted on pull side of door. Aluminium finish.



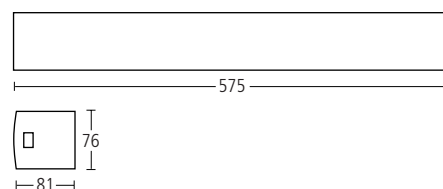
### 71983

Door or frame mounted on push side of door. Aluminium finish.



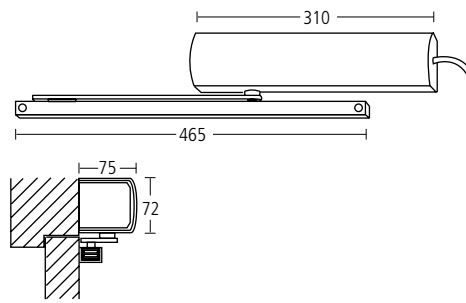
### 71980

Custom stainless steel housing to fully enclose above units (as shown in photograph).



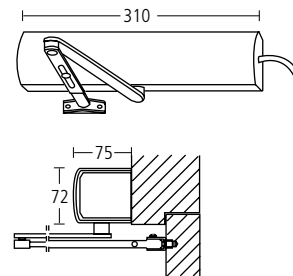
71984

Operates identically to 71982, but with separate control module, thereby reducing over-all size. Aluminium finish.



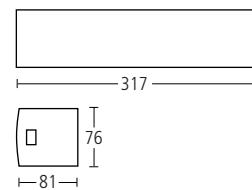
71985

Operates identically to 71983, but with separate control module, thereby reducing over-all size. Aluminium finish.



71981

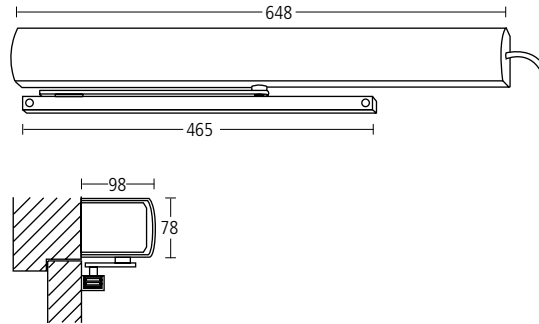
Custom stainless steel housing to fully enclose above units.





71971

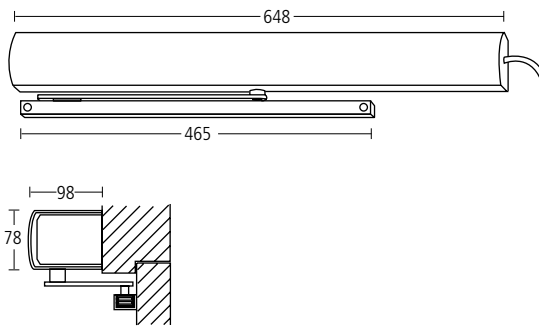
Door or frame mounted on pull side of door. Aluminium finish.



- Brings a new dimension to automatic door operation: One of two options should be selected when installing the unit: as well as the normal automatic operation, a servo-assisted option allows the door to be opened with almost no resistance.
- Designed for low-to-medium duty usage on most internal doors, including designated fire doors and, when specified in conjunction with the necessary safety sensors, will meet the requirements of the British Standard for powered doors (BS7036).
- Low energy.
- Door or frame mounted and suits all standard door materials – timber, steel, aluminium and glass – single or double leaves and left or right handed doors.
- Opening and closing speed, hold open time and power (2–5) are all adjustable.
- Power – 230/240v AC.
- Maximum door size – weight: 160kg / width: 1400mm.  
Minimum door width – 550mm (push side fixing), 550mm (pull side fixing).  
Unit requires 710mm from hinge centre line, so a small door may be operated if the unit can be positioned past the latch edge.
- Fire rated up to 120 minutes. (This applies to frame mounted units only).
- Available in a range of finishes to suit most specifications.

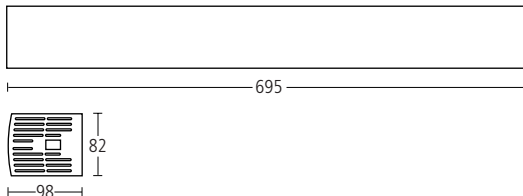
71972

Door or frame mounted on push side of door. Aluminium finish.



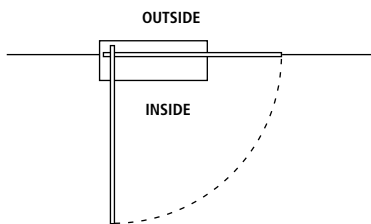
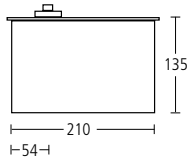
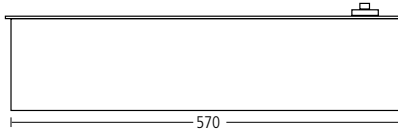
71970

Stainless steel housing to fully enclose above units.



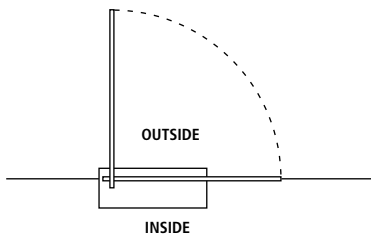
71961

Single floor mounted operator. For use with left handed doors, opening in (see below). Complete with 71999 safety sensors and 71999CO safety sensor cut out switch. Stainless steel finish.

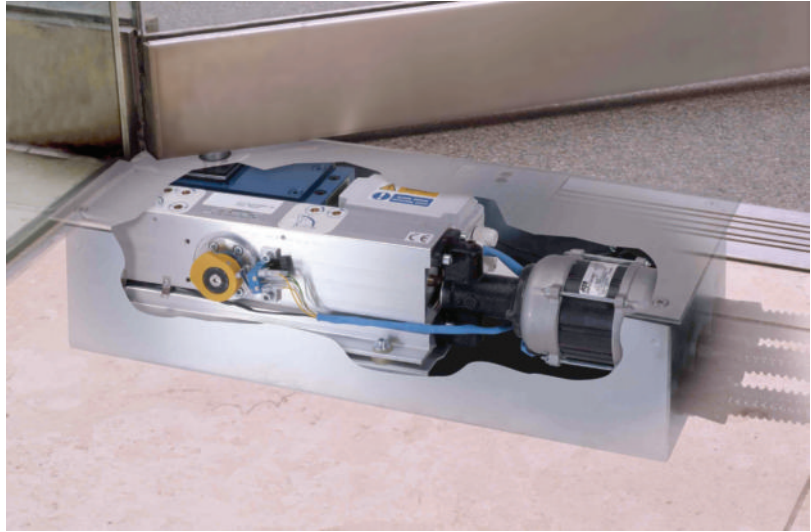


71962

As above, but for use with left handed doors, opening out (see below).



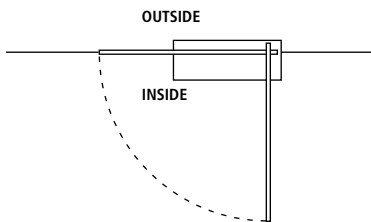
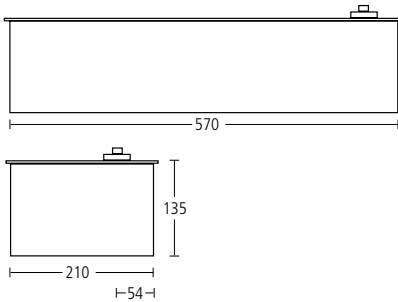
Actuation of automatic door operators may be achieved by use of any of the Allgood Secure access control systems in Section 6.1 or by the units shown above. A three position keyswitch is available to allow an automatic door operator's control switching to be remotely positioned. Please note that these items should be carefully specified to avoid conflict with other hardware items such as safety sensors.



- Allgood Secure's revolutionary floor mounted automatic operator series. Ideal for automatic operation of doors where aesthetics is of major importance.
- Designed for heavy-duty usage on most internal or external, single or double, left or right handed doors. This includes designated fire doors and, when specified in conjunction with the necessary safety devices, the unit will meet the requirements of the British Standard for powered doors (BS7036).
- In combination with the Allgood Secure range of actuators and safety sensors, the automatic operators are capable of meeting the most demanding of situations.
- Floor mounted unit, suits all standard door materials – timber, steel, aluminium and glass.
- Doors can still be opened manually even when the drive is switched on and in the event of a power failure.
- Closing speed, power, latch action, opening angle and hold open time are all adjustable.
- Power – single phase 230v AC 50Hz.
- Maximum door size – weight: 140kg / width: 1400mm / height: 2400mm. For heavier doors please contact Allgood Secure.
- Allgood Secure floor mounted automatic operators are only to be supplied and installed by Allgood Secure engineers.
- Pivot and straps supplied separately.

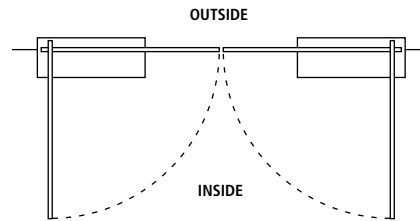
## 71963

Single floor mounted operator. For use with right handed doors, opening in (see below). Complete with 71999 safety sensors and 71999CO safety sensor cut out switch. Stainless steel finish.



## 71965

Double floor mounted operator. For use with double doors opening in (see below). Complete with 71999 safety sensors and 71999CO safety sensor cut out switch. Stainless steel finish.



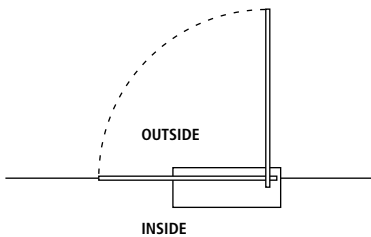
## 71967

Finger guard. Prevents trapping of fingers during closing sequence. Can also be used to truncate cabling.

- Suitable for glass door and side panel. Template must be provided to door manufacturer.

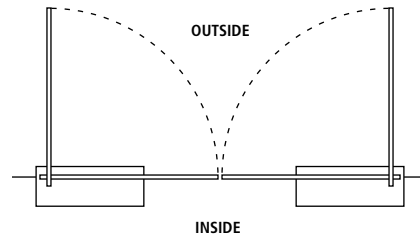
## 71964

As above, but for use with right handed doors, opening out (see below).



## 71966

As above, but for use with double doors, opening out (see below).



71999

Opening face safety sensor.



- Safeguards area within opening swing radius of automatic swing leaf door. Operation of door stops as soon as an obstruction is detected within zone of sensor.
- Compatible with Allgood Secure automatic door operators.
- Normally specified in conjunction with closing face safety sensor. Safety sensors enable compliance with BS7036.

71999CO

Safety sensor cut out switch to be used in conjunction with electronic locking.

71997RA

Finger guard.

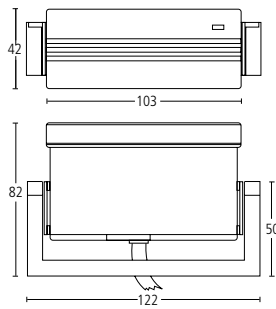
- Prevents trapping of fingers during closing sequence.
- Suitable for 70mm stile width.
- For single doors only.
- Aluminium finish.

71997RB

As above, but with bronze finish.

71995

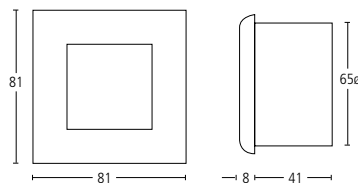
Standard radar unit.



- Detects persons anywhere within an adjustable field of scan.
- Weatherproof cover available for external locations.
- Black plastic finish.

79230

Touchless sensor/exit switch.



- Adjustable operating field of between 10–50cm avoiding the need for contact with hands to operate, guaranteeing absolute hygiene.

71996SS

150mm diameter circular satin stainless steel push pad.



Used in conjunction with, or as alternative to, radar units to prevent normal pedestrian traffic causing false actuation.

71996BT

As above, but powder coated in BioCote – the latest anti-bacterial technology that offers an extra level of protection against accumulating infectious bacteria. For more information, please refer to Finish Section 2.1.

71996

Elbow push pad.

- Used in conjunction with, or as alternative to, radar units to prevent normal pedestrian traffic causing false actuation.
- Cream plastic finish.