

6.4 Audio & audio visual entry systems

Foreword

Audio and audio visual entry systems provide a convenient security solution by means of an external call-button station and an internal handset or monitor which communicates with the external station to electrically release a locked door.

The audio range provides two way speech between the external station and the internal handset. The audio visual range has the additional benefit of a camera within the external station relaying a picture of the caller to a screen within the internal monitor, providing a higher level of security.

Benefits that audio and audio visual entry systems offer can be applied in a variety of situations, such as offices, banks, schools, residential properties, shared commercial premises and hospitals, to help protect staff and property by granting access to authorised callers only. When integrated into an access control system, the use of an audio or audio visual entry system provides the additional value of controlling a security door from a remote position.

There are two main ranges listed here. The stainless steel, vandal-resistant range of audio and audio visual systems and the modular aluminium range of audio and audio visual systems.

When more than 10 call buttons are required, Allgood can provide a digital entry system – either audio or audio visual – to suit your specific needs. These systems prevent panels becoming overloaded with call buttons by using a digital '0-9' keypad into which the apartment number is typed. Panels can also be created to incorporate access control readers to provide the total solution. For further information please contact Allgood Secure.

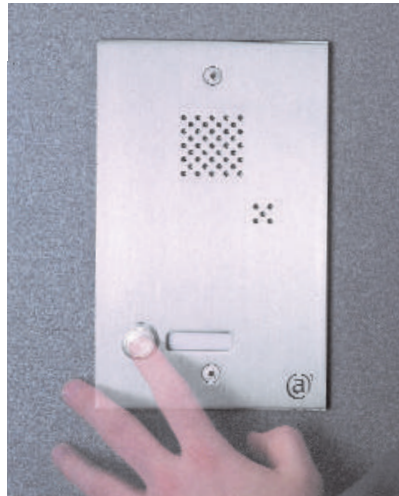
Contents

- Foreword
- Audio entry systems
- Audio visual entry systems
- Handsets and accessories

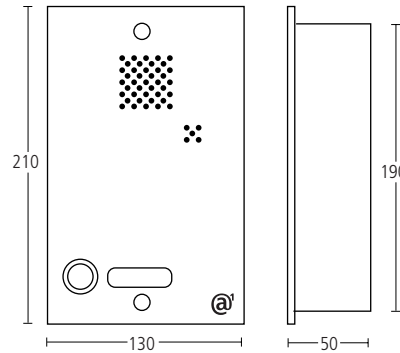
Allgood vandal resistant range of audio entry panels offer high resistance to vandalism, wear and tear. Manufactured from the highest grade stainless steel, they combine physical resistance to abuse with enhanced aesthetics. Surface or flush mounted, they offer multiple call buttons with illuminated name windows. Our standard kits are highlighted in this section, but more sophisticated panels are available.

71611F

1 way flush mounted vandal resistant audio entry kit.



Comprises of entrance panel, speaker/mic unit, power supply & audio handset.

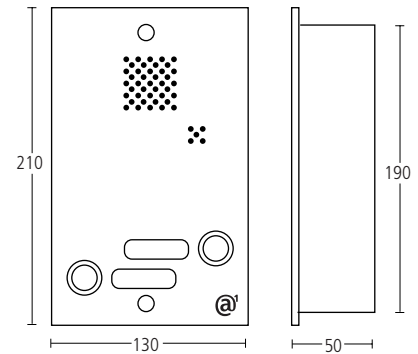


71611S

As above, but surface mounted.

71612F

2 way flush mounted vandal resistant audio entry kit.



Comprises of entrance panel, speaker/mic unit, power supply & 2 audio handsets.

71612S

As above, but surface mounted.

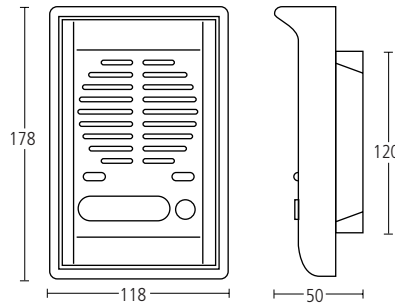
Allgood new modular audio entry panels are notable for their innovative design and soft lines. They are available in anthracite grey finish and may be surface or flush mounted. Our standard audio entry kits are highlighted with both 1 and 2 way systems. As it is modular, your system can be personalised, adapted and expanded to suit your specific requirements.

71601F

1 way flush mounted audio entry kit.



Comprises of entrance panel, speaker/mic unit, power supply & audio handset.

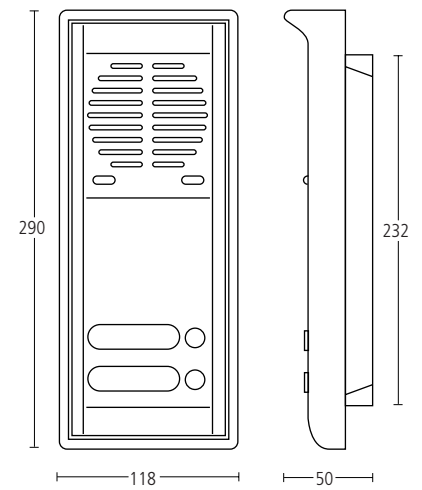


71601S

As above, but surface mounted.

71602F

2 way flush mounted audio entry kit.



Comprises of entrance panel, speaker/mic unit, power supply & 2 audio handsets.

71602S

As above, but surface mounted.

Allgood vandal resistant range of audio visual entry panels offer the highest level of security and resistance.

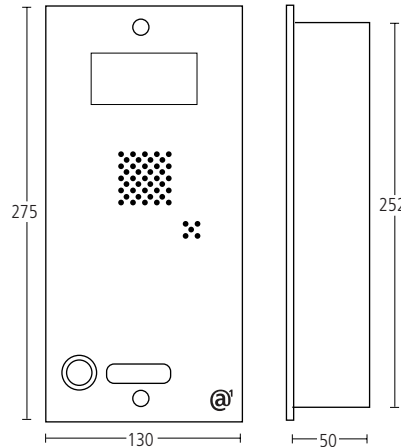
By providing visual clarification as well as audio, the panels provide an increased level of security. In addition, the highest grade stainless steel panels provide resistance to vandalism and enhanced aesthetics. Our standard kits are highlighted, but more sophisticated panels are available.

71641F

1 way flush mounted vandal resistant audio visual entry kit.



Comprises of entrance panel, camera/mic unit, power supply & audio visual handset.

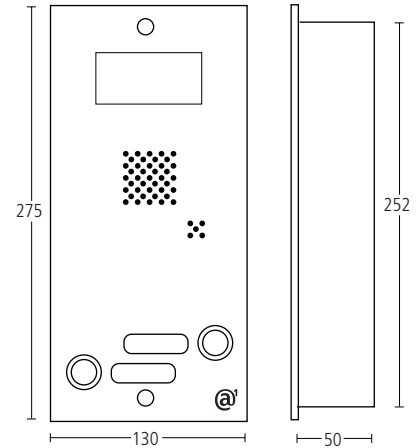


71641S

As above, but surface mounted.

71642F

2 way flush mounted vandal resistant audio visual entry kit.



Comprises of entrance panel, camera/mic unit, power supply & audio visual handset.

71642S

As above, but surface mounted.

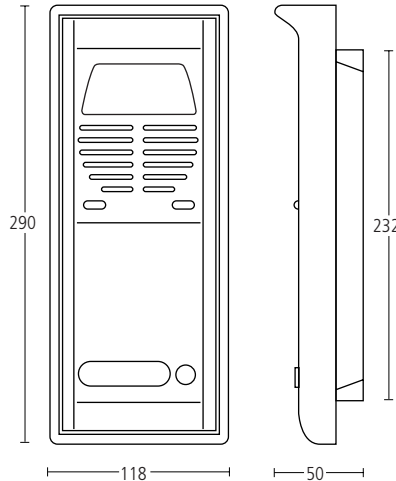
As with our modular audio entry systems, the audio visual entry systems may be developed and adapted to meet the requirements of any particular building. With the advantage of visual clarification as well as audio, Allgood modular audio visual entry systems provide a higher level of security.

71631F

1 way flush mounted audio visual entry kit.



Comprises of entrance panel, camera/mic unit, power supply & audio visual handset.

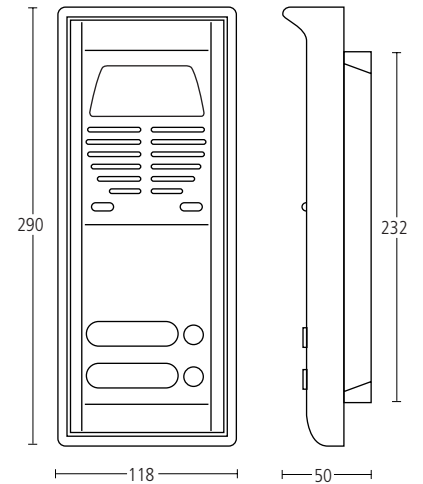


71631S

As above, but surface mounted.

71632F

2 way flush mounted audio visual entry kit.



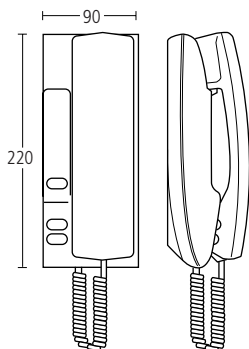
Comprises of entrance panel, camera/mic unit, power supply & 2 visual handsets.

71632S

As above, but surface mounted.

71621

Audio handset in white.



71622

As above, in black finish.

71623

Speaker/microphone unit for audio entry systems.

71624

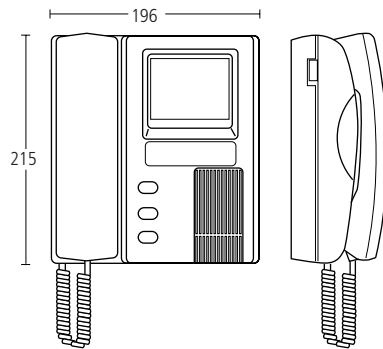
Box interface relay.

71625

Power supply for audio entry systems.

71651

Audio visual monitor handset in white.



71652

As above, in black finish.

71653

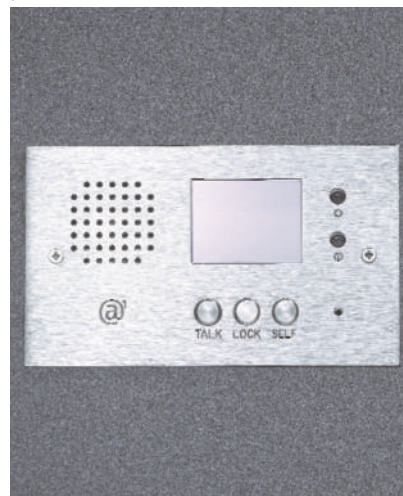
Camera/speech unit for audio visual entry systems.

71654

Power supply unit for audio visual entry systems.

71656

Flush mounted audio visual communication panel.



Incorporates a 2.5 inch LCD colour display. Miniature alternative to 71651. Finish: SS

